

Micro Clock Necklace Kit

COMPONENTS SUPPLIED

- Hanger stud
- Quartz Micro clock with a holding gasket (plus one spare gasket)
- Gold plated 27" long chain

PREPARING THE BLANK

Note: You may turn this project with either of the following two methods: A) a four-prong drive center and live center to support the wood on the lathe, or B) by holding the blank in a woodworking chuck.

Diagram A - Using a Drive Center

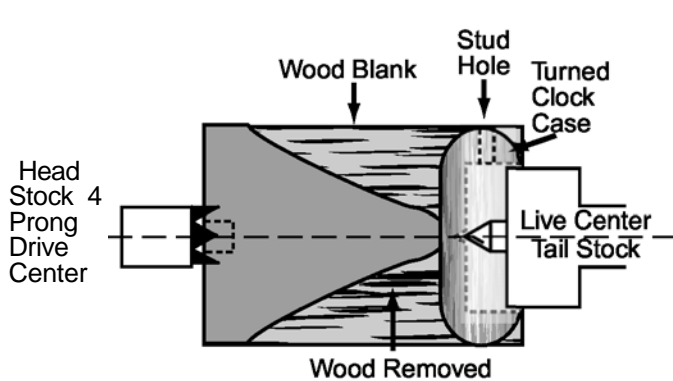
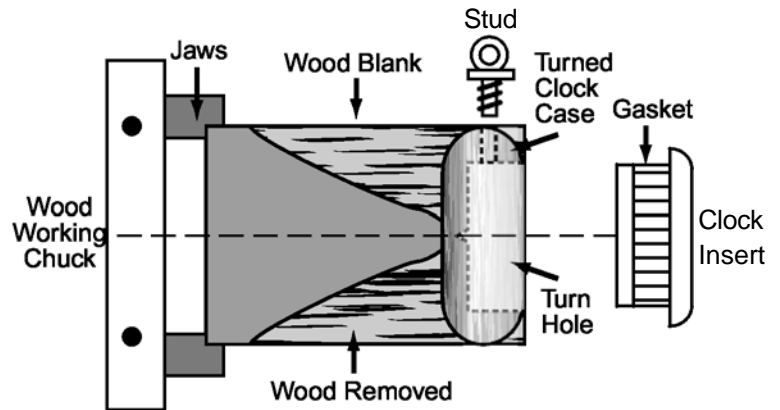


Diagram B - Using a Woodworking Chuck



PREPARING THE WOOD FOR DRIVE CENTER TURNING

- Mark the center of the blank on the both faces. Drill a small pilot hole in one end of the blank; in the other end drill a 15/16" Forstner bit hole 1/4" deep.
- Stud hole: mark the center thickness of your case design (see Diagram A). Drill a 9/64" hole in the center of the blank down to the large hole.

- Use a mallet to force the drive center into the small pilot hole drilled into the wood.
- Mount this assembly onto the headstock then slide the live tailstock center into the wood, lock it in place. (see Diagram A)

PREPARING THE WOOD FOR WOODWORKING CHUCK TURNING

- Drill a stud hole – See instructions above
- Mount the blank onto the chuck (See Diagram B)
- Set the tool rest against the face of the blank, and find the

center. Pencil mark a 15/16" diameter circle, Turn and cut a hole 1/4" deep in the surface, or use a 15/16" forstner bit. DO NOT OVER CUT!

- Test the fit with the micro clock.

TURNING THE BLANK (Both Methods)

- When the blank is locked, turn on the lathe. Cut away any excess wood and turn the case profile. Leave only enough wood to keep it from breaking apart.
- Turn the case 1/2" to 5/8" thick and about 1-1/2" diameter.
- Finish the wood, sand and polish.

- Separate the case from the excess waste end with a parting tool.
- Sand the excess projection out, round and smooth,
- Touch-up the back face to restore the finish.

ASSEMBLY

Note: To achieve a high gloss finish use the finish of your choice.

- Place a drop of glue inside the blank hole drilled for the stud.
- Insert the threaded stud with the hole parallel to the case.
- Set the time, if necessary, by pulling out the stem. Push the stem back in to start the clock.

- Insert the chain through the hole in the stud.
- To change the battery, use a sharp tool (i.e. knife); look for a projection on the back cover. The projection is about 1/4" wide, wedge the sharp tool into the gap and pull up gently. The cover will pop up. When covering the watch be sure to line up the rounded recession with the stem.