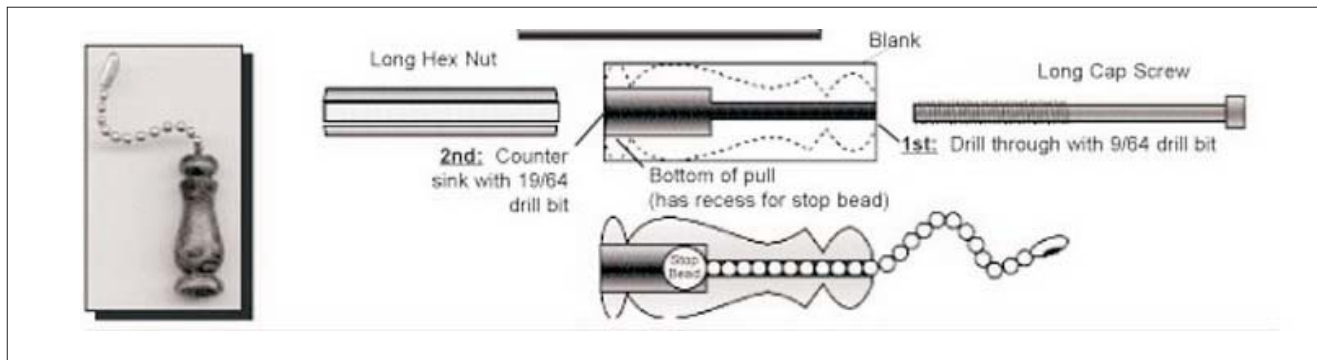


#1102-H Light Pull & Bead Chuck Instructions



What's included in the Kit.



Light Pull & Bead Chuck Instructions

This very simple device locks into any 1/4 or 3/8 Jacobs or 3-jawed chuck.

For Light or Fan Pulls:

Select any scrap material (2-3/4" maximum length). Drill through lengthwise with the 9/64 drill bit provided. Using the 19/64 drill bit, counter sink a minimum of 3/8" or a maximum of 1". This will hide the stop bead and allow you to turn pulls up to 2-3/4" in length.

Note: Counter sunk end will be bottom of pull. Place long, cap screw through hole and screw into long hex nut. Place long hex nut into chuck of your choice. Place live center directly into end of cap screw. This will not damage the live center cone.

For Beads:

Select any scrap up to 1-3/4" long. Drill with 9/64 bit provided. Place long, cap screw through hold and screw into long nut. For shorter beads, screw into non-threaded side of nut. Place long nut into chuck of your choice. Place live center directly into end of cap screw. This will not damage the live center cone.

Note: Washers are provided for softer woods only and are optional.